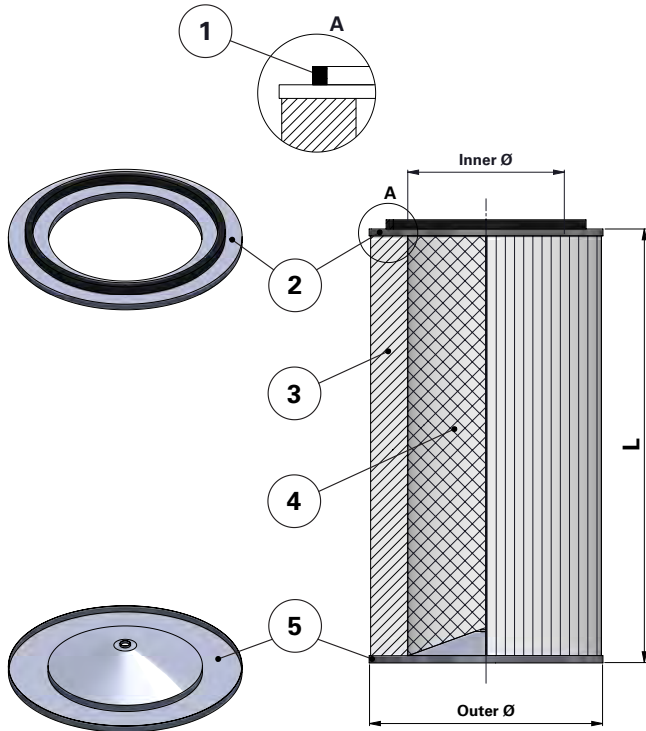




DATA SHEET

Replacement Elements

Cartridges – Series Kemper 352 – Open Closed with Hole



Series Kemper 352 – Open Closed with Hole

Cartridge Filter with open top end cap and closed bottom end cap with hole of 16 mm

For Kemper and other brands of cartridge collectors

Without outer liner

| Item | Description |
|------|---------------------------------|
| 1 | Gasket |
| 2 | Top end cap |
| 3 | Media pack |
| 4 | Inner liner |
| 5 | Bottom end cap with Ø16 mm hole |

Dimensions [mm]

| | |
|---------|-----|
| Outer Ø | 352 |
| Inner Ø | 240 |
| L | 600 |